

Cottage Grove Speedway – Limited Sprint Rules – 2022

IF IT DOESN'T SAY YOU CAN THEN YOU CAN'T!

TECH OFFICIAL HAS FINAL SAY IN ALL DECISIONS!!

If it doesn't say you can, then you can't. Tech Officials have final say in all decisions!

MUFFLERS REQUIRED – MUST BE BELOW 95 DECIBELS AT 100 FEET – NO EXCEPTIONS!

Safety Rules

1) Mandatory Safety Equipment

- A) Snell SA2010 minimum helmet
- B) SFI Fire suit at least 2 layers thick
- C) Fire resistant gloves
- D) Fire retardant racing shoes
- E) Arm restraints or full containment seat
- F) Right side head net OR Full Containment Seat
- G) Driveline hoop or restraint (no open driveline). Must utilize a .065 steel hoop welded or bolted to the chassis. Rear cross member must be constructed to .083
- H) High back (stock car style) seat
- I) Padded knee guard
- J) All cars to be equipped with fuel bladders
- K) SRI certified 5 point seat belts installed in accordance to manufacturers suggested installation, **must be no more than 2 years old, no fraying.**
- L) Must use beadlock on right rear at all times
- M) Drag link must be tethered to the frame, **no aluminum drag links**
- N) **Helmet & Neck Restraint**

2) Suggested Safety Equipment

- A) Rock screens with a minimum .090 thickness
- B) Head rest with padding
- C) SFI flame retardant underwear, head sock, and foot socks
- D) Left window net
- E) Steel tie rod and drag link with steel heims
- F) Drivers seat fuel/fume deflector
- G) 2014 Driveline restrain
- H) Fire Suppression System
- I) 2019 World of Outlaw Mandated Safety Bars
- J) Drag Link be attached to the frame with chrome molly ends and steel heims, hardened washer or flanged head bolts highly recommended

Weight Rules

All cars with a 2-3/16" restrictor must weigh a minimum of 1575 pounds with driver at post race inspection. All cars with a crate motor or a 1-1/2" restrictor must weigh a minimum of 1475 pounds with driver at post race inspection. Weight added for ballast must be mounted between the frame rails and the axles **and must be bolted with at least (2) ½" bolts, painted white with car number on it.** Random weigh ins will be at the discretion of the tech official and/or race director. If at any time you are told to scale

you must do so immediately following the race, going to your pit stall first will result in disqualification. Scales will be available for pre-race weighing.

If you fail to make the minimum weight requirement after being rolled across the scales twice you will be scored last for that event.

Chassis Rules

1) Sprint type chassis allowed. All roll cages must be made of 1-1/2x.095 wall 4130 chromemoly tubing, securely welded. Maximum width of cage at the top is 27" I.D. The following measurements are minimums. Only areas indicated will be subject to technical inspections. Suggested material 4130 normalized.

A) Top rails: 1-1/2x.095

B) Bottom rails: 1-3/8x.095 or 1-1/2x.083

C) Roll cage uprights: 1-3/8x.083

D) Roll cage top cross members: 1-1/2x.095

E) Upper rails: 1-3/8x.083

F) Rear end safety bar: 1x.038

G) Brace: 1-1/4x.065

H) Steel torque tube safety bar: 1x.065

2) Roll bar cage must be 2" higher than the driver's head and be padded subject to the race director's approval.

3) Hoods are required. Maximum of a 1" lip on turn outs and body panels.

4) Tech approved belly pans or floorboards. Throttle pedal must have toe strap and return springs on linkage and at injectors or carburetor.

5) All cars will have a sprint style fuel tank with bladder securely mounted (not by bladder cover plates) and must be able to contain 24 gallons of fuel. No plastic fuel lines or fittings. Tank must be vented in a manner that it will not leak if upset. No alteration or modification to fuel cell. Must be one piece construction of cross link polyethylene plastic. No carbon fiber fuel tanks.

6) Suspension optional, no cockpit adjustable and have one working shock per wheel. Adjustable shocks allowed. No gas shocks, Steering system types are optional and need to be approved by race director.

7) Wheel base minimum of 83" with a maximum of 90". Tread minimum of 48" wide, center to center. Wheel and tread width optional; single tire and wheel only.

8) All cars must have a number in a contrasting color. Top wing number mandatory and must be at least 16" high.

9) Foot operated, hydraulic brakes required. Front wheel brakes optional. Steel, aluminum, or titanium rotors only.

10) Wheel must be approved for racing.

11) Front, rear, and side nerf bars, made of a minimum of 1x.065 stainless or 4130 normalized material, required at the beginning of the race program. Cars must have rear nerfs securely attached to finish a race. Front and side nerfs lost due to damage during the racing event is acceptable. All nerfs and bumpers will be attached with a minimum of 3/16" steel alloy fasteners. No pop rivets. Subject to race director's approval.

12) Lettered Mandatory, on/off toggle or push/pull switches

13) No mirrors

14) No 2 way radios

15) Body panels must have a side opening of 12" minimum at any point and 21" minimum front to rear at any point. Max of 1" lip on turn outs and body panels

Engine Rules

1) 360 cubic inch (maximum) standard steel blocks only. #4 heads Dart iron eagle part #10120010, 64cc comb chamber and 180cc intake runner. OEM GM cast iron heads allowed. Straight plug only. 202 1.6 valves maximum. Minimum 64cc comb chamber. No Vortech heads. No angle milling. No polishing. No porting.

2) American or Canadian Chevrolet engines only.

3) No more than 360 cubic inches

4) After market crank allowed.

5) Injectors that are individual stack pre-cylinder design shall not exceed 2-3/16" inside diameter. If downsized stacks are used or a restrictor is used, there must be at least 3" of restriction to 2-3/16" I.D. Throttle Body 4 1-11/16 Butterfly only Single may not exceed 3-3/4

6) No electronic fuel pumps.

7) No turbocharges or superchargers allowed

8) Flat tappet or hydraulic cams only. No roller cams or roller lifters allowed.

9) Flat top pistons only

10) Type of oil pan optional. Dry sump systems allowed

11) Methanol or racing gas only. No nitrous oxide or nitro.

12) No titanium engine parts. Except valve spring retainers

13) Mufflers must meet 95dba or less at 100 feet. No exceptions!!

14) OEM Chevy block or Dart block allowed

15) 604 or 602 GM Crate Engines Allowed – Must be marked with a decal on the

16) Racesaver 305 Engines Allowed

17) Engines running a MSD pro mag will be required to have a 8000 rev limiter chip, other ignition boxes may be subject to a chip as well. Crate engines will not be required to run a chip.

Wing Rules

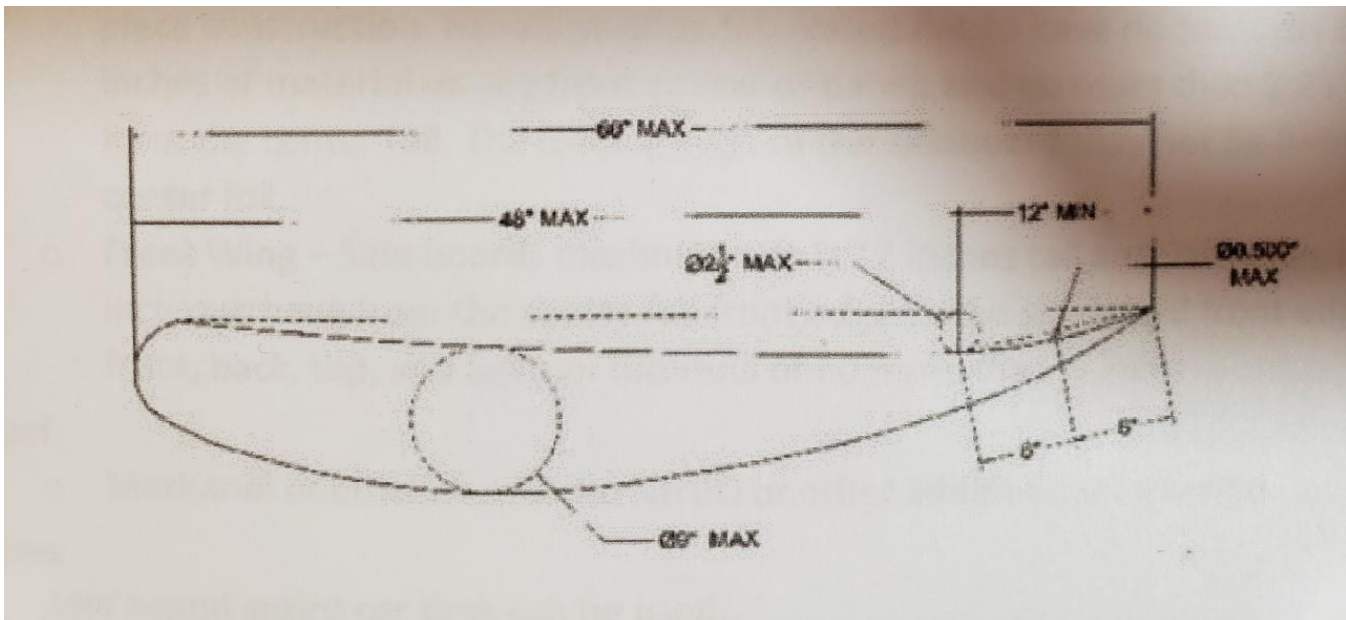
• Top Wing (see illustration below)

o Max top wing angle is 20 degrees, with a +1-degree tolerance. Measured from the center of the leading edge to the center of the trailing edge (not including the wicker bill for crate motors). Measurements are made by laying a straight edge down the center of the wing, parallel to the side boards, and then using a gauge to determine the angle. o A top wing measurement-instructional video can be found here, <https://youtu.be/eCs7LjQctvw>

o The top wing cannot be cockpit/driver adjustable, no in car wing sliders will be allowed. All cars must utilize a manual slider mechanism.

o Center foil maximum size of 25 square feet, with a maximum width of 60 inches, with a one degree plus or minus tolerance. Center foil shall be fully sheathed in aluminum. Vent holes are strictly prohibited.

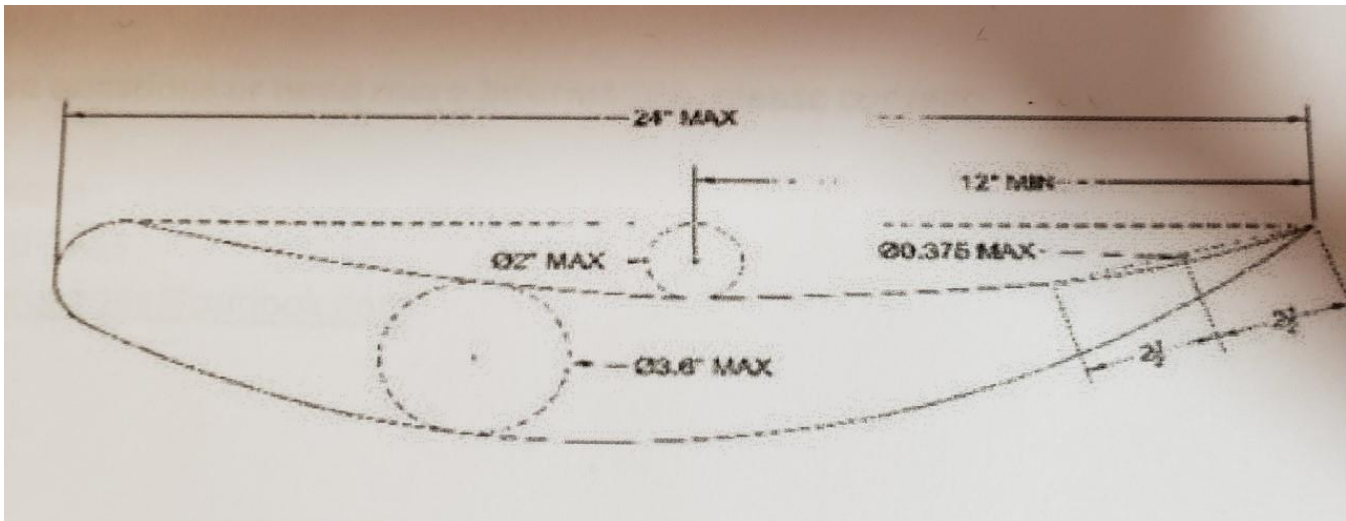
- o No wicker bill or Gurney lips permitted on the center foil, except for cars running a crate engine, then a ONE INCH wicker bill is allowed. This wicker bill must be a fluorescent color.
- o Other than the slider mechanism, no moving parts allowed on or in the foil structure.
- o The 12-inch section located at the rear of the center foil must not have the belly/curl arc out of proportion with the rest of the center foil. The belly/curl must span the entire length of the center foil and appear to be a gradual arc with the deepest point no further back than 48 inches from the leading edge. As measured on a 12-inch straight edge, the belly at 6 inches from the rear of the foil may not be deeper than $\frac{1}{2}$ inch.
- o The belly/curl arc must start at the radius of the center foil's leading edge and shall not exceed a depth of 2.5 inches. Center foil thickness cannot exceed 9 inches. Center foil top surface from side to side must remain flat. Center foil must be one-piece construction. No split or biwings will be allowed. Wings must be fabricated of metal alloys only. No fiberglass, carbon fiber, etc.
- o Two stationary foils or rudders will be allowed to run the entire length of the underneath portion of the top wing. Maximum height proportions are 1 inch at the front and 3 inches at the rear. Nowhere shall the foil/rudder exceed 3 inches in height.



• **Nose Wing (see illustration below)**

- o Center foil maximum size of 6 square feet, with maximum width of 36 inches, with a one degree plus or minus tolerance. Center foil shall be fully sheathed in aluminum. No vent holes allowed.
- o Wicker bills up to 1 inch are allowed on nose wing, flat or dished.
- o Center foil top surface from side to side must remain flat. Center foil must be one piece. No split or bi-wings will be allowed. No moving parts allowed on or in foil structure.
- o The 5" section located at the rear of the front foil must not have a belly/curl arc that is out of proportion with the rest of the front foil. As measured with a 5-inch straight edge, the belly at 2.5 inches from the rear of the foil may not be deeper than $\frac{3}{8}$ inch.

- o The belly/curl arc must span the entire length of the front foil and appear to be a gradual arc with the deepest point no further back than 12 inches from the leading edge. The belly/curl arc must start at the front foil's leading edge and shall not exceed a depth of 2 inches. Top foil thickness cannot exceed 3.6 inches.
- o No rudders or fins on nose wings



• Sideboard Panels

- o All side boards must be within an eight-degree plus or minus tolerance and be square to the center foil.
- o Side panels may not be supported by braces whose section is not horizontal. All braces or supports shall be oriented thin edge to face the air stream. Only rectangular, round, or oval metal braces, not exceeding 1 inch in width, may be used.
- o No aero section side panel brace material is allowed. No brace or support shall resemble a wicker bill or a split wing.
- o Top Wing – Sideboards maximum size is 72 inches long and 30 inches tall. Panels must be of one-piece construction. Panels must be fabricated flat to have no turnouts or flaps made of more than 2 inches of material on the front or rear of panel, and no more than 1.25" of turnout as measured from the center foil. The leading edge of the sideboard may not be behind the leading edge of the center foil.
- o Front Wing – Side boards maximum size is 12 inches tall and 26 inches long, with no more than one inch overhang from the center foil front edge to the sideboard front edge. Sideboards may have front, back, top, and bottom turnouts of no more than ½ inch.

Exhaust Rules

- 1) Mandatory: Must be 95 decibels or below at 100 feet or YOU WILL NOT RACE!!
- 2) Mandatory: Mufflers- Spin Tech or Flowmaster, Loback 24" inner core note, Spin Tech or Flowmaster must be the big muffler no small Spin Tech or Flowmaster's allowed. Part #1545, Schoenfeld part #14272735-78
- 3) No Supertraps

Tire Rules

As we are currently experiencing an extreme tire shortage, please call the track for the most up to date tire rule information – 541-942-7561

Left rear tire must be a 90 or 92.

1 Bleeder of your choice in wheel only – No axle mounted bleeders of any kind

ALL CARS MUST BE LESS THAN 95DBA AT 100'

Tech official will have the final decision on any rule in question. It is the policy of Cottage Grove Speedway that any car in violation of the above rules will be disqualified and penalized with a loss of points and payout and may be fined at the discretion of the tech official. A one race grace period may be allowed at the discretion of the tech official. A grace period will not apply to tires and/or weight.